

Subtracting with Word Problems Part 1

Applying Math in the Real World with a Concrete-Pictorial-Abstract Approach

Using the Word Problem Story Mats:

Select a story mat. Determine which operation will be your focus and choose a word problem from the samples provided or create your own. Sample problems for each story mat are organized into categories:

- 1-3: Part/Whole Addition Problems
- 4-5 Subtraction Problems
- 6-7 Missing Addend Problems
- 8-10 Challenge Problems (deeper thinking)

Read the problem three times out loud to your student before they begin to solve it.

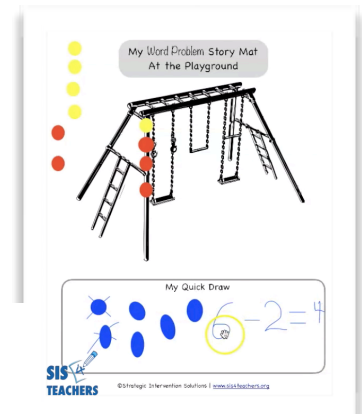
- ✓ Encourage students to repeat each part of the problem after you have read it.
- ✓ Personalize the problem by adding in familiar names (teachers, friends, etc.).
- ✓ Adjust the quantity of numbers in the problem based on the student's ability.

Applying CPA

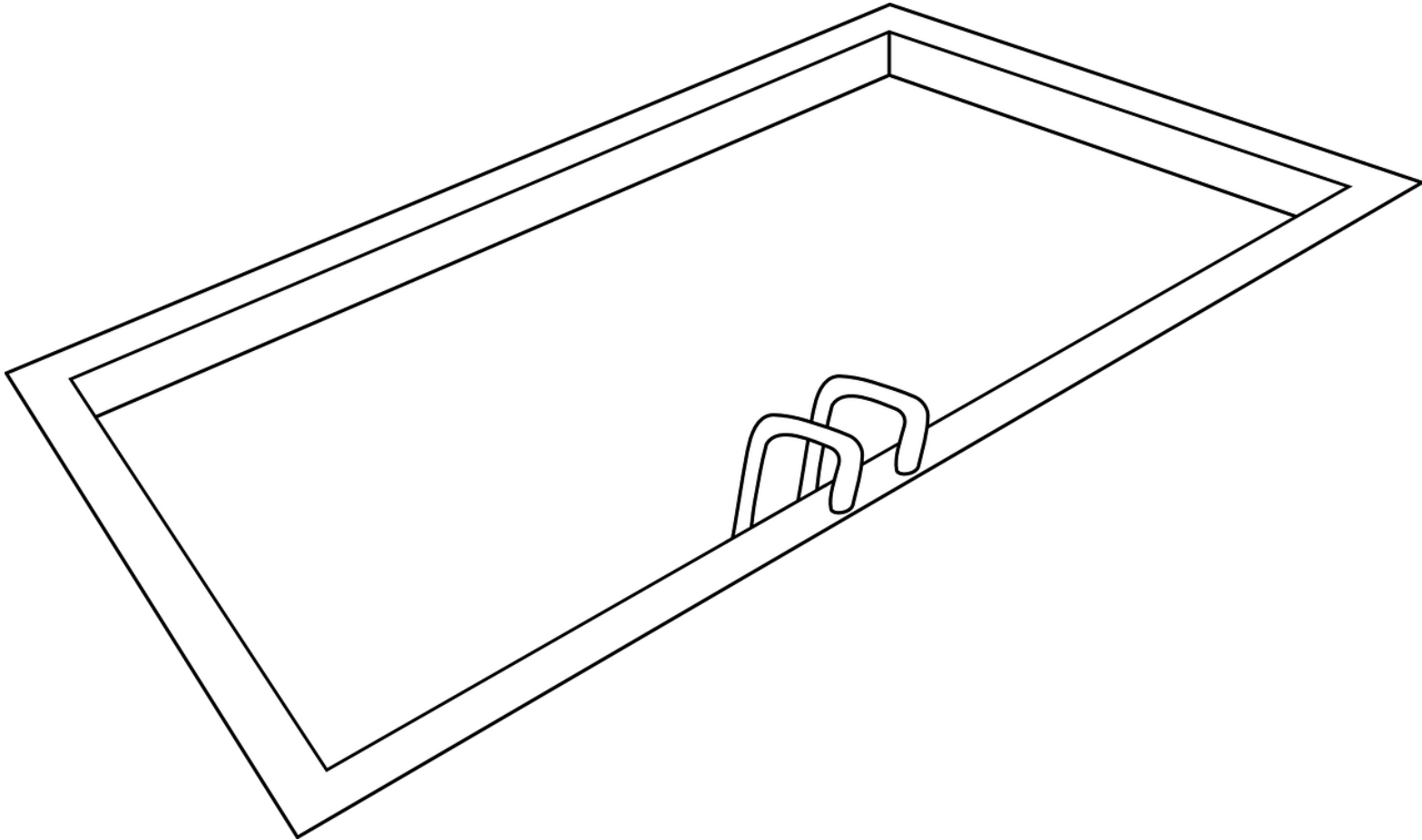
- As you read the problem aloud, let students use manipulatives (unifix cubes, beans, beads, counters, etc.) to represent the word problem **concretely**. Allow your student to explore the problem and act it out using the manipulative without leading prompts, correction or intervention.
- When students are comfortable with the problem, encourage your student to draw a **pictorial** representation using a Quick Draw, which uses simple shapes ("x", circles, tallies, etc.) without much detail to represent the quantities they used while acting out the problem with manipulatives.
- Finally, students can write a number sentence or number bond to demonstrate their **abstract** understanding of the problem.

Watch the video tutorials to see examples and get more tips and ideas:

sis4teachers.org/early-word-problems/



My Word Problem Story Mat
In the Pool



My Quick Draw

In the Pool Word Problems

Sample Word Problems:

1. There were 5 boys and 4 girls **in the pool**. How many kids were in the pool?
2. There were 4 red beach balls and 3 green beach balls **in the pool**. How many beach balls were in the pool in all?
3. One dog jumped **in the pool** and then 2 more dogs jumped in. How many dogs are in the pool?
4. There were 9 kids **in the pool**. 3 kids had to go home. How many kids are left in the pool?
5. When we got **in the pool** there 6 dry towels on the bench. Our friends used 3 of the towels to dry off. How many dry towels are left?
6. There are kids 7 kids **in the pool**. 4 of the kids have on a blue bathing suit and rest have on a red bathing suit. How many kids are wearing red bathing suits?
7. There were 5 rafts **in the pool**. 2 of the rafts had kids on it and the rest didn't. How many rafts didn't have kids on it?
8. The boy saw 3 people swimming **in the pool**. How many arms did he see?
9. There are 5 pairs of goggles by **the pool** but there are 8 kids needing goggles. How many kids will not get a pair of goggles?
10. Two dogs jumped **in the pool** with the boy. How many legs are in the pool?

